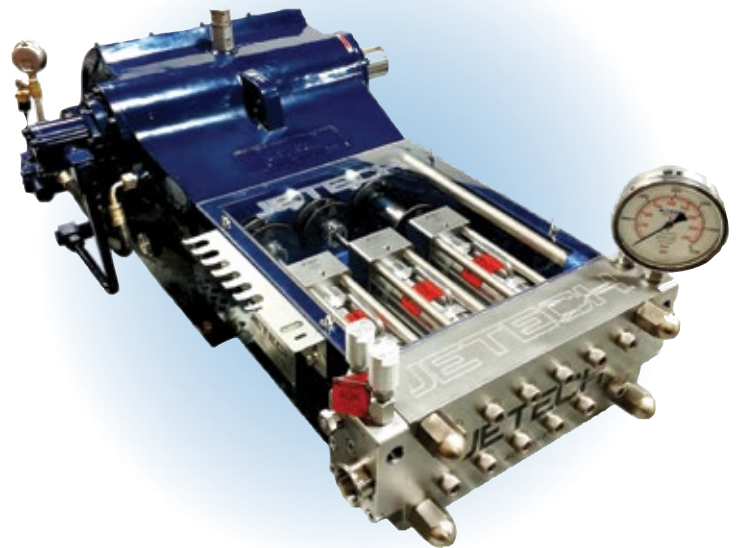


# XP3500

## CLASSIC BLUEPRINT, MODERN DESIGN

Jetech pumps feature a reliable design, created to maximize performance, minimize down times and ease maintenance. Built to last, these resilient pumps boast carefully selected durable materials to ensure a longer service life, even in the toughest in-field working conditions. With interchangeable components, Jetech pumps can be easily and quickly converted resulting in lower cost of ownership, fast turnaround times, use in a wide range of applications and dependability across pressure ranges. Jetech provides adept customer service to promote safety and guidance in incorporating our products into your fleet. Whether you are a manufacturer or a user with the drive to do it yourself, our team of experts will help you select the proper Jetech pump for your needs. Complete diesel and electric systems are available in addition to Jetech's state-of-the-art bare shaft unit.



## FEATURES & BENEFITS

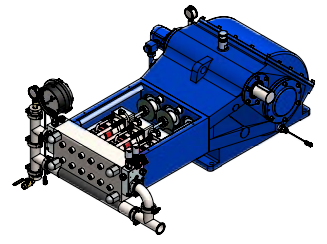
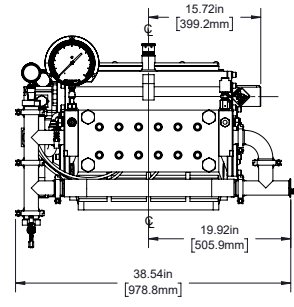
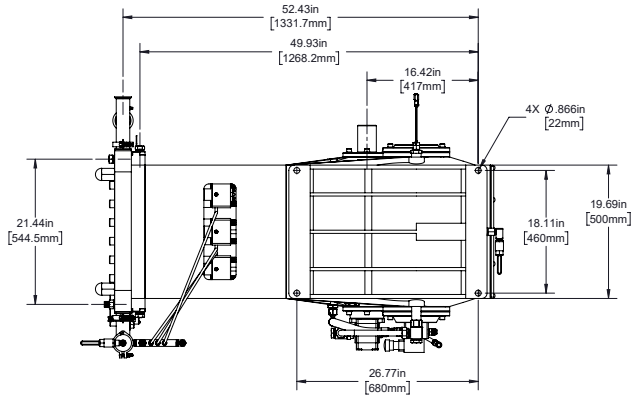
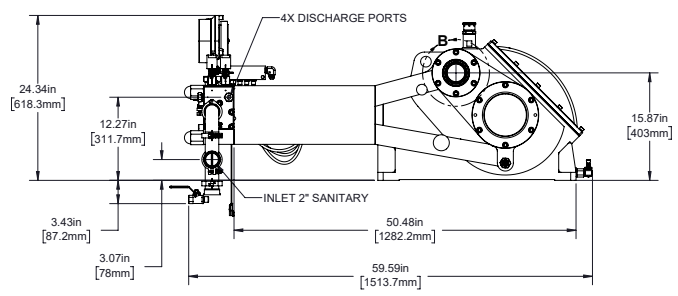
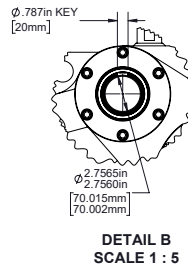
- Capable of power input up to 358 HP (267 kW)
- Simple construction with few moving parts
- Single body valves with only one spring, resulting in 50% less failures
- Integrated gear reducer for smallest footprint possible
- No expensive conversion kits. The 40k head and one set of valves and cylinders delivers the full 20k to 40k psi pressure range. The 20k head delivers 7.5k to 20k psi
- Fastest and easiest maintenance of all waterjetting pumps on the market
- No special tools needed for field maintenance

IT'S SIMPLE. IT BLASTS. IT LASTS.

**JETECH**  
MEMBER OF PERONPOMPE  
GROUP

## TECHNICAL SPECIFICATIONS

Maximum Input Power	358 HP	267 KW
Stroke Length	5.12 in	130 mm
Weight	1800Lbs	816 Kg
Power-End Type	Triplex Crankshaft	
Gear Type	Double Helical	
Gear Ratio	3.5:1 or 4.619:1	
Connecting Rod Bearings	Shell Type	
Main Bearings	Roller	
Pinion Bearing	Roller	
Crank Shaft	Alloy Steel	
Power-End Lubrication	Pressurized	
Power-End Oil Capacity	14 qt.	13L
Oil Type	SAE 80W-90	



	50K Head	40K Head				20K Head			
PRESSURE PSI	50,000	40,000	36,000	30,000	20,000	20,000	15,000	10,000	7,500
PLUNGER SIZE	5/8	11/16	3/4	13/16	1	1	1 1/8	1 3/8	1 5/8
GPM	10.0	12.1	14.4	16.9	25.6	25.6	32.4	48.4	67.5
L/M	37.9	45.8	54.5	63.9	96.8	96.8	122.5	183.0	255.7

### CONTACT

Jetech International, LLC  
 269.254.8050 | 2015 Schippers Lane, Kalamazoo, MI 49048  
[www.jetech.com](http://www.jetech.com)

REGIONAL OFFICES LOCATED ACROSS UNITED STATES AND INTERNATIONALLY

scan to learn more



scan to follow us on Instagram

