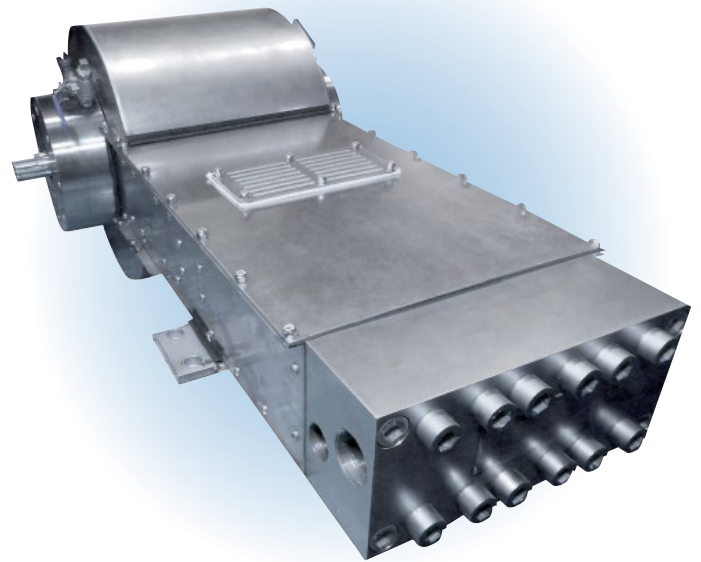


SUBSEA PUMPS SERIES

HIGH PRESSURE SUBSEA PUMPS FOR CHEMICAL INJECTION (SCSI) AND INTERVENTION WORK

The SS1100 subsea pump is based on a groundbreaking concept: engineering an open power frame for subsea use. The open frame exposes the unique, patented components to the hydraulic atmosphere of ocean depths, thereby eliminating the pressure differential at all depths. The key advantage of the SS1100 pump is its crank case (mechanical power frame), which is cooled and lubricated by seawater. No oil or grease is required. With this engineering achievement, the depth of operation is not a factor. Since its first deployment in 2004, the pump has operated successfully in subsea environments, demonstrating a proven track record across a diverse array of applications down to depths of 10,000 feet / 3,000 meters. It has been utilized for pumping seawater and a range of chemical products. Thanks to its 20 year references, the SS1100 plunger pump is considered TRL7.



FEATURES & BENEFITS

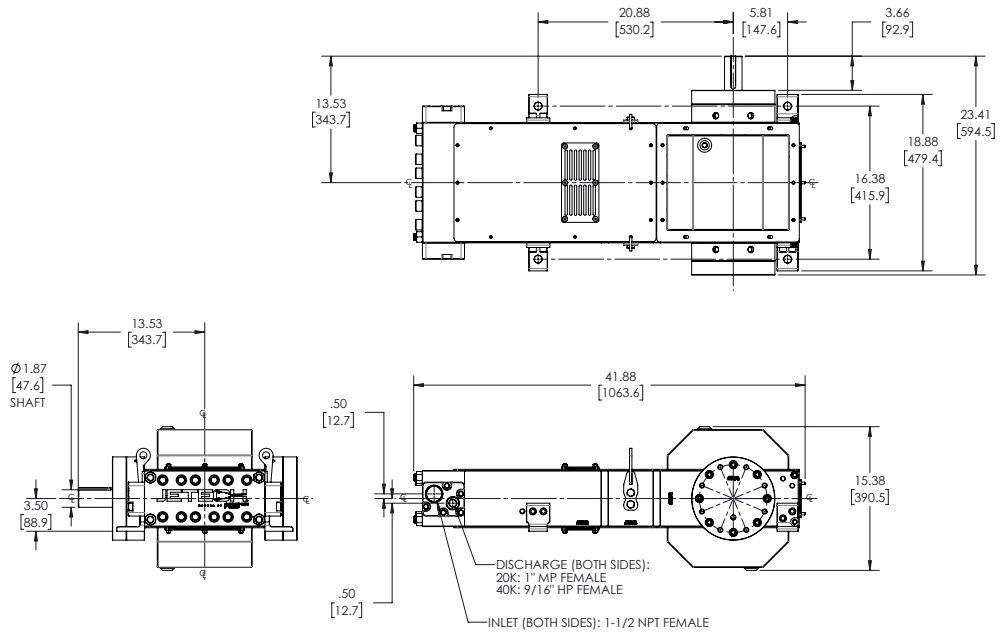
- Crank case lubricated by seawater
- No pressure compensation, no depth limitation
- Pump in subsea operations since 2004: meets TRL 7
- Simple design with few moving parts
- High flow intermittent batch chemical injection
- Low flow (typically continuous) chemical injection
- Flowline intervention or testing (ROV)
- Fluids: seawater, MEG, methanol, LDHI, biocide, corrosion inhibitor, scale inhibitor

TECHNICAL SPECIFICATIONS

SS1100 SUBSEA PUMP

UP TO 100 HP / 75 KW

PRESSURE		FLOW AT 600 RPM	
40k 2760	PSI BAR	3.5 13.3	GPM LPM
30k 2070	PSI BAR	4.6 17.4	GPM LPM
20k 1380	PSI BAR	7.2 27.1	GPM LPM
15k 1030	PSI BAR	10.3 39.1	GPM LPM
10k 690	PSI BAR	14.1 53.2	GPM LPM
8k 550	PSI BAR	18.4 69.5	GPM LPM
5.5k 380	PSI BAR	25.9 98.0	GPM LPM



**ALSO AVAILABLE
IN QUINTUPLEX
CONFIGURATION**

SS1700 SUBSEA PUMP

UP TO 165 HP / 125 KW

PRESSURE		FLOW AT 600 RPM	
40k 2760	PSI BAR	5.9 22.2	GPM LPM
30k 2070	PSI BAR	7.6 29.0	GPM LPM
20k 1380	PSI BAR	12.0 45.2	GPM LPM
15k 1030	PSI BAR	17.2 65.1	GPM LPM
10k 690	PSI BAR	23.4 88.7	GPM L/M
8k 550	PSI BAR	30.6 115.8	GPM LPM
5.5k 380	PSI BAR	43.2 163.3	GPM LPM

CONTACT

Jetech International, LLC
269.254.8050 | 2015 Schippers Lane, Kalamazoo, MI 49048
www.jetech.com

REGIONAL OFFICES LOCATED ACROSS UNITED STATES AND INTERNATIONALLY

scan to
learn more



scan to follow us
on Instagram

